

KÖSTER
INJECTION GEL G4



CONTACT
DETAILS

KÖSTER INJECTION GEL G4
CURTAIN INJECTION



For applications in contact with ground water

Certified by the German Institute for Construction Technology

Drinking water certification



Potable water test certificate from the Hygiene Institute in Gelsenkirchen is available

Does not corrode reinforcement



Corrosion test from the Institute of Building Research in Aachen

Proven system

Through numerous test studies



Technical consultation:

Dr. Slobodan Kalinic

Tel: +49 176 1920 1909

s.kalinic@koster.eu



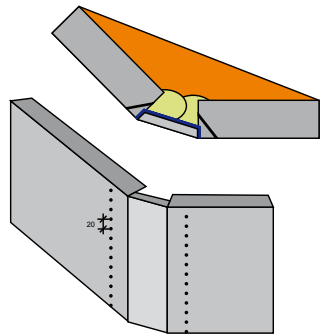
KÖSTER BAUCHEMIE AG
Dieselstraße 1-10, 26607 Aurich
Phone: +49 4941 9709-0, Fax: +49 4941 9709-40
info@koster.eu, www.koster.eu



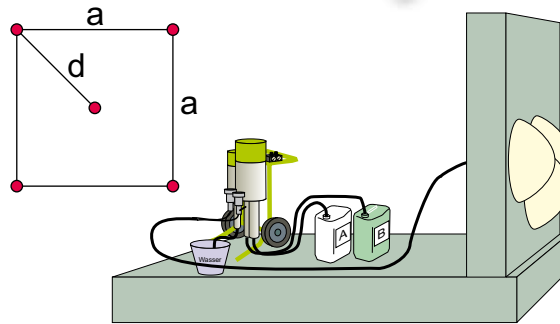
Exterior waterproofing without excavation



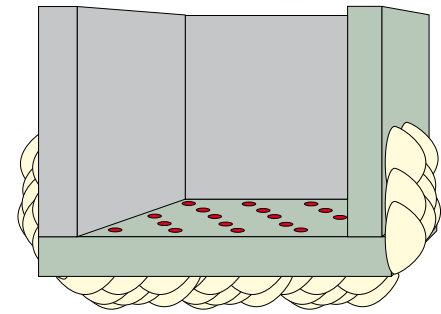
Soil consolidation



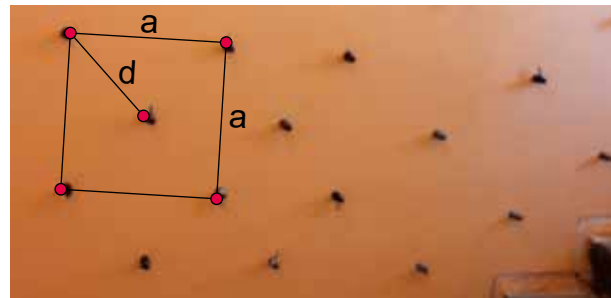
Vertical curtain injection



Horizontal curtain injection



Behind installations



Exterior basement wall



Elevator shafts



Tunnels



Wall/floor joints